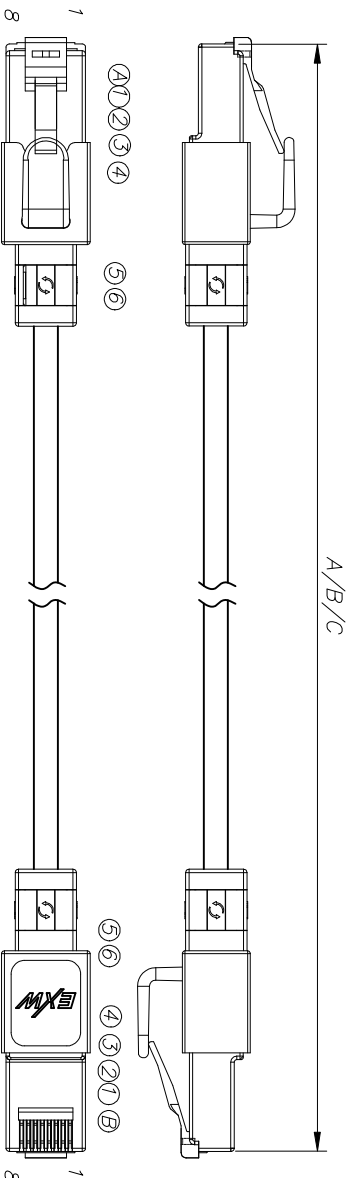


宁波卓新通讯插件有限公司  
NINGBO EXCELLENCE COMMUNICATED CONNECTOR CO.,LTD

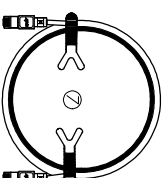


PLUG:

Drawing						
Mark						
GOLD PLATING	3Mu"	3u"	6u"	15u"	30u"	50u"
Mark						
TYPE	Shielded	Unshielded				
Mark						
PC	UL 94-V0	UL 94-V2				
Mark						

- Remarks:
- I. "A" indicate the length 1-9M, tolerance  $_{-0}^{+80}$
  - II. "B" indicate the length 10-20M, tolerance  $_{-0}^{+150}$
  - III. "C" indicate the length above 20M, tolerance  $+(C*1\%)/-0$

ARRANGE METHOD:



ROHS



项次	品名	规格	颜色	用量	项次	品名	规格	颜色	用量	图号																																																																																																														
ITEM	DESCRIPTION	MATERIAL	COLOR	Q'TY	ITEM	DESCRIPTION	MATERIAL	COLOR	Q'TY	DWG NO.																																																																																																														
①	PLUG	06RH5Z50V02L-2R(7493,天球野趣 孔距4.2)	black	2	⑥	CLIP 2	PP	/	0.54g	P60UTB211-004																																																																																																														
②	Insert	3E2 10.7 V2	transparent	2	⑦	Cable Tie	"C"MM	white	2																																																																																																															
③	Insert	φ4.0 V2	transparent	2	⑧																																																																																																																			
④	PVC	60P:30P 1:1	/	8,344g	⑨																																																																																																																			
⑤	CLIP1	PP	/	0.94g	⑩																																																																																																																			
<table border="1" style="width: 100%; border-collapse: collapse;"> <thead> <tr> <th colspan="2">线材规格 MATERIAL</th> <th colspan="4">WIRE CONNECTION TABLE</th> <th colspan="2">裁线长度 LENGTH</th> <th>合计 TOTAL</th> <th>模号 MOLD NO.</th> <th>单位 UNIT</th> <th>比例 SCALE</th> <th>张数 SHEET</th> </tr> <tr> <th>CAT.6 UTP PATCH CORD 28AWG</th> <th>PVC</th> <th>white / orange</th> <th>orange</th> <th>white / green</th> <th>blue</th> <th>white / blue</th> <th>green</th> <th>A/B/C+80)*[19(0)]*[19(0)]</th> <th>02-211</th> <th>mm</th> <th>1/1</th> <th>1/1</th> </tr> <tr> <td></td> <td>LSOH</td> <td>A1</td> <td>A2</td> <td>A3</td> <td>A4</td> <td>A5</td> <td>A6</td> <td></td> <th>02-212</th> <th>mm</th> <th>1/1</th> <th>1/1</th> </tr> <tr> <td></td> <td></td> <td>B1</td> <td>B2</td> <td>B3</td> <td>B4</td> <td>B5</td> <td>B6</td> <td></td> <th>02-241</th> <th>mm</th> <th>1/1</th> <th>1/1</th> </tr> </thead> <tbody> <tr> <td>CABLE COLOR</td> <td>red</td> <td>orange</td> <td>yellow</td> <td>green</td> <td>blue</td> <td>purple</td> <td>gray</td> <td></td> <td></td> <td></td> <td></td> <td></td> </tr> </tbody> </table>											线材规格 MATERIAL		WIRE CONNECTION TABLE				裁线长度 LENGTH		合计 TOTAL	模号 MOLD NO.	单位 UNIT	比例 SCALE	张数 SHEET	CAT.6 UTP PATCH CORD 28AWG	PVC	white / orange	orange	white / green	blue	white / blue	green	A/B/C+80)*[19(0)]*[19(0)]	02-211	mm	1/1	1/1		LSOH	A1	A2	A3	A4	A5	A6		02-212	mm	1/1	1/1			B1	B2	B3	B4	B5	B6		02-241	mm	1/1	1/1	CABLE COLOR	red	orange	yellow	green	blue	purple	gray																																																		
线材规格 MATERIAL		WIRE CONNECTION TABLE				裁线长度 LENGTH		合计 TOTAL	模号 MOLD NO.	单位 UNIT	比例 SCALE	张数 SHEET																																																																																																												
CAT.6 UTP PATCH CORD 28AWG	PVC	white / orange	orange	white / green	blue	white / blue	green	A/B/C+80)*[19(0)]*[19(0)]	02-211	mm	1/1	1/1																																																																																																												
	LSOH	A1	A2	A3	A4	A5	A6		02-212	mm	1/1	1/1																																																																																																												
		B1	B2	B3	B4	B5	B6		02-241	mm	1/1	1/1																																																																																																												
CABLE COLOR	red	orange	yellow	green	blue	purple	gray																																																																																																																	
<table border="1" style="width: 100%; border-collapse: collapse;"> <tr> <td>图号 DWG NO.</td> <td colspan="10">P60UTB211-004</td> </tr> <tr> <td>名称 TITLE</td> <td colspan="10">CAT.6 UTP 28AWG PATCH CORD</td> </tr> <tr> <td>比例 SCALE</td> <td colspan="10">1/1</td> </tr> <tr> <td>张数 SHEET</td> <td colspan="10">1/1</td> </tr> <tr> <td>制图 DRAWN</td> <td colspan="10">Cathyli</td> </tr> <tr> <td>审核 CHECKED</td> <td colspan="10">Zach</td> </tr> <tr> <td>批准 APPROVAL</td> <td colspan="10">Carline</td> </tr> <tr> <td>出图日期 DRAWN DATE</td> <td colspan="10">2021/01/21</td> </tr> <tr> <td>角法 PROJ.</td> <td colspan="10"></td> </tr> <tr> <td>更改 REV</td> <td colspan="10">1</td> </tr> </table>											图号 DWG NO.	P60UTB211-004										名称 TITLE	CAT.6 UTP 28AWG PATCH CORD										比例 SCALE	1/1										张数 SHEET	1/1										制图 DRAWN	Cathyli										审核 CHECKED	Zach										批准 APPROVAL	Carline										出图日期 DRAWN DATE	2021/01/21										角法 PROJ.											更改 REV	1									
图号 DWG NO.	P60UTB211-004																																																																																																																							
名称 TITLE	CAT.6 UTP 28AWG PATCH CORD																																																																																																																							
比例 SCALE	1/1																																																																																																																							
张数 SHEET	1/1																																																																																																																							
制图 DRAWN	Cathyli																																																																																																																							
审核 CHECKED	Zach																																																																																																																							
批准 APPROVAL	Carline																																																																																																																							
出图日期 DRAWN DATE	2021/01/21																																																																																																																							
角法 PROJ.																																																																																																																								
更改 REV	1																																																																																																																							