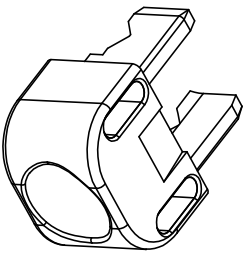
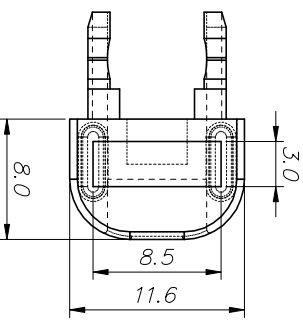
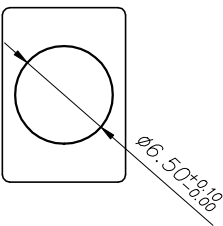
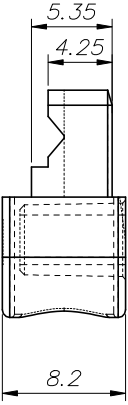
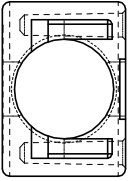
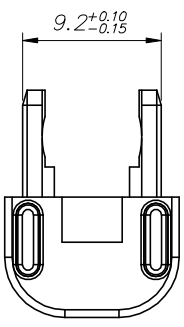


REV	DATE	MODIFICATION	DRAWN
A	2020/05/11		
B	2020/10/09		Ryan



Issued
 2021. 11. 22
 R&D

EXW		NINGBO EXCELLENCE COMMUNICATED CONNECTOR CO.,LTD	
DIMENSION IN mm (Inch)		MATERIAL	DWG NO.
TOLERANCE UNLESS OTHERWISE SPECIFIED		PC	PLUG INSERT-511
.X±0.20	.X±.5°	TITLE	01-163 Boot Ø6.5
.XX±0.10	.XX±.2°		
APPROVAL	CHECKED	DRAWN	SCALE
Carine	Zach	Zach	2/1
			PROL.
			SHEET
			REV
			B

ST - DR - 009A